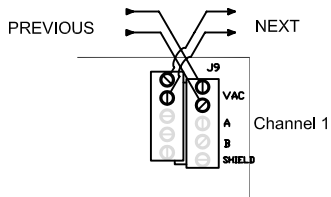
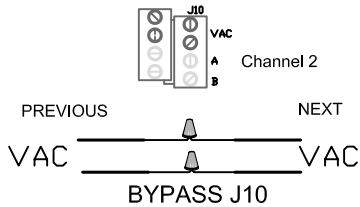


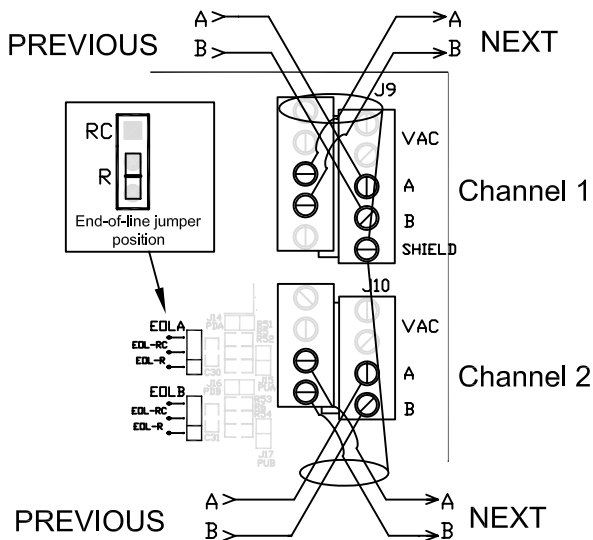
POWER (J9-J10)



VAC on J10 (channel # 2) is never to be applied (use J9).
See illustration below



COMMUNICATION (J9-J10)

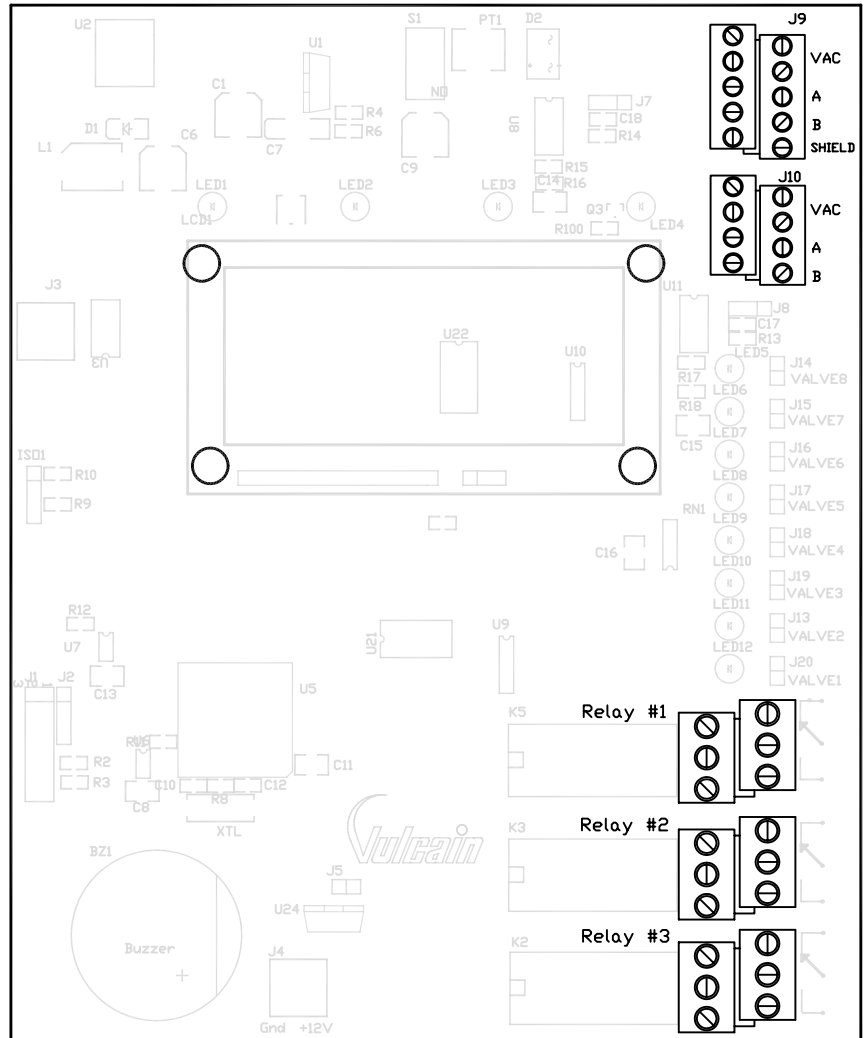


VASQNA WIRING DETAILS

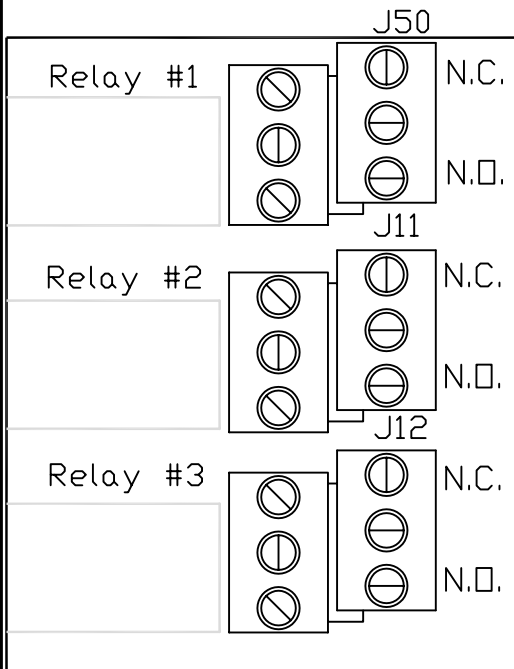


4005 Matte, Local G,
Brossard, Quebec,
J4Y 2P4
Tel.: 1-800-563-2967
Fax.: 1-888-967-9938
www.vulcaininc.com

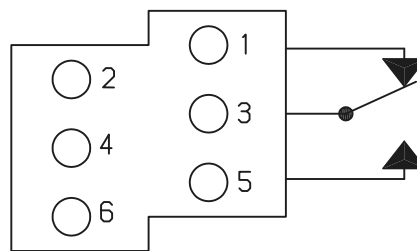
ANNUNCIATOR



RELAY OUTPUT: (J50-J11-J12)



5A, 30Vdc or 250 Vac
(resistive load)



Normally close 1+3
2+4

Normally open 3+5
4+6

TYPICAL ACCESSORIES

